



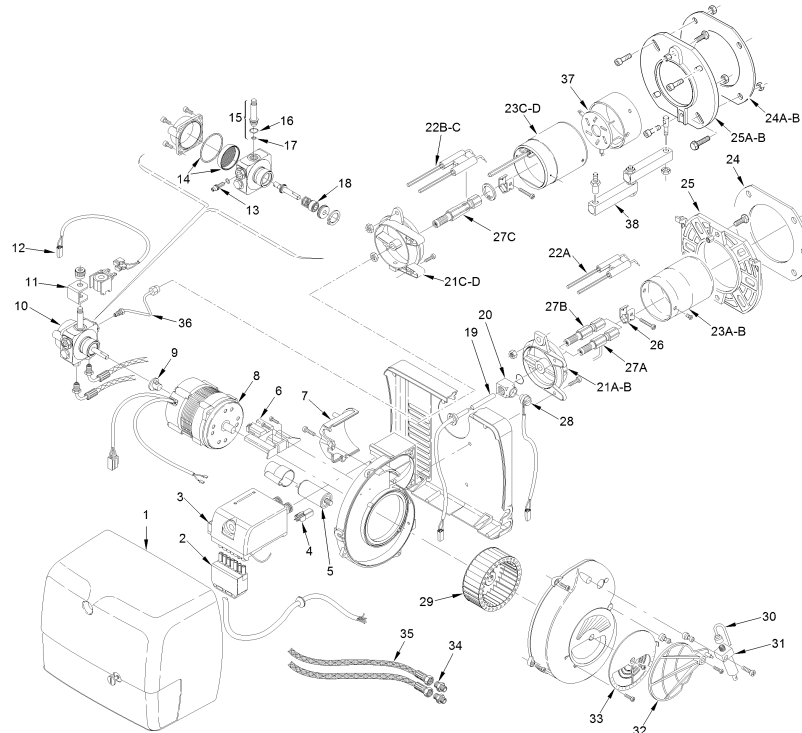
Fonderie Sime S.p.A. - Via Garbo, 27 - 37045 Legnago (VR) - www.sime.it  
 Tribunale Verona 13531 - R.E.A. VR 171357 - C.C.P. 19423375 - N° Mecc. VR 014435  
 Capitale Sociale Euro 5.521.200 int. versato - Codice Fiscale/Partita IVA n. IT 01275930236

Comfort Ambiente - Via Garbo, 27 - 37045 Legnago (VR)

Tel +39 0442 631111 - Fax Servizio Commerciale: Italia +39 0442 631291 - Estero +39 0442 631293

Fax Servizio Tecnico +39 0442 631292 - Fax Ufficio Acquisti +39 0442 631292 - Fax Amministrazione +39 0442 631336

8099060 Oil burner SIME MACK 7



Position	Code	Description	Where used	Advised parts	Price list
001C	6291263	Casing			54.38
002	6291202	7 pin plug			14.18
003	6291203	Control box 555SE			163.15
004	6291204	P.E. cell			29.21
005A	6291264	Capacitor 6.3 µF			21.28
006	6291206	Support			17.74
007C	6291265	Cover			31.92
008A	6291266	Motor			156.07
009	6279002	Joint			8.28
010	6291211	Pump			119.41
011	6279004	Coil + shell + knob			30.9
012	6291213	Connecting lead			14.18
013	6279009	Regulator			9.46
014	6279011	Filter O-ring			5.91
015	6279010	Needle valve			30.74
016	6291217	O-ring			9.46
017	6291218	O-ring			9.46
018	6279008	Pump seal			24.83
021D	6291267	Coller			29.56
022C	6291268	Electrode assembly			35.46
023D	6291269	Cup-shaped head			52.02
024B	6291271	Gasket			10.64
025B	6291272	Flange			21.28
026	6279016	Electrode bracket			10.64
027C	6291257	Nozzle holder			14.18
029B	6291273	Fan			30.74
030C	6291274	Tube			79.22
031	6291238	Hydraulic jack			34.29
032B	6291275	Air damper			14.18
033B	6291276	Air damper			9.46
034	6291241	Connector			8.28
035	6291242	Flexible pipe			29.56
036A	6291250	Tube			16.55
037A	6291270	End ring and diffuser disc			35.46

038	6291277	Hinge unit	28.37
707	6291284	Nozzle GPH 2.00 60çB	20.11
708	6291285	Nozzle GPH 2.50 60çB	20.11
709	6291286	Nozzle GPH 2.75 60çB	20.11
710	6276200	Oil filter	11.81
711	6276201	Oil filter with recirculation	49.66

- A = Spare parts for minimum fittings
- A+B = Spare parts for basic safety fittings
- A+B+C = Spare parts for extended safety fittings